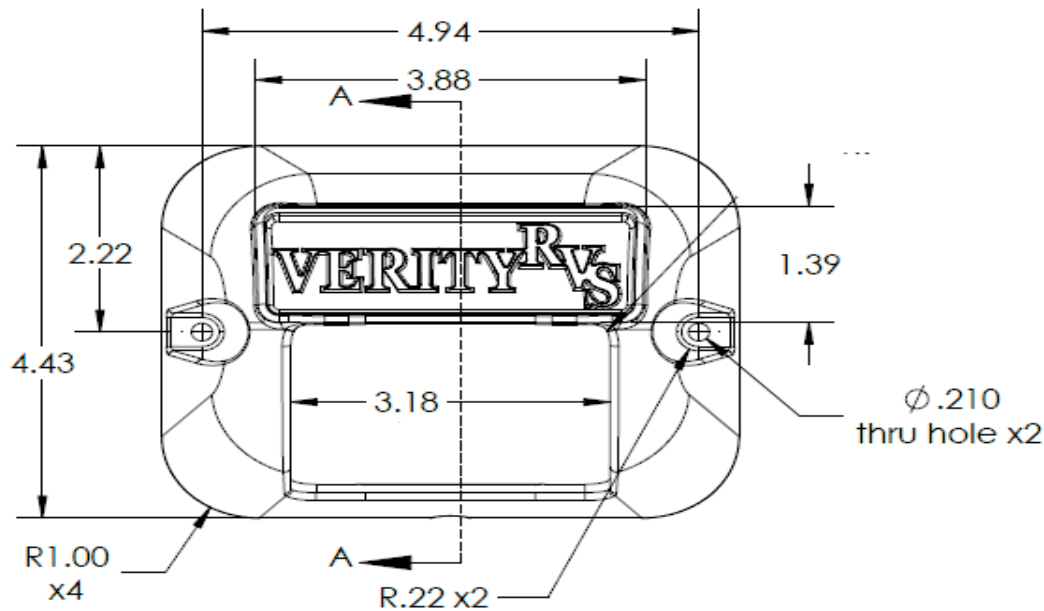
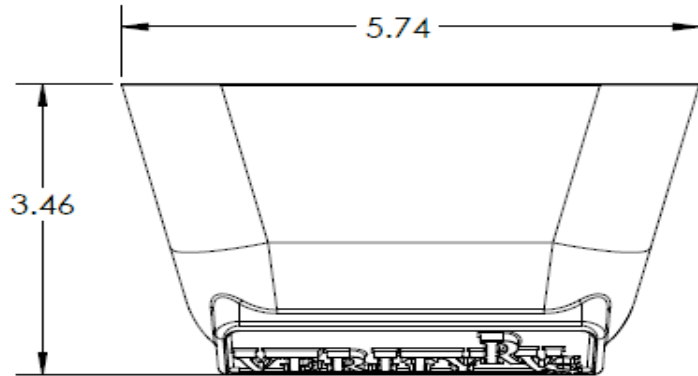


VERITY®

REAR VISION SYSTEMS



<p><u>DESCRIPTION</u> ADD100Z Camera Cover #2</p>	<p><u>NOTICE</u> Above drawings are for reference purpose only. Drawings are subject to change without notice. Measurement in mm.</p>	<p><u>DATE</u> 2018 <u>Compiled by</u> W. Verity</p>	<p>Verity Rear Vision Systems 574-807-6004 www.VerityRVS.com</p>
---	---	--	---