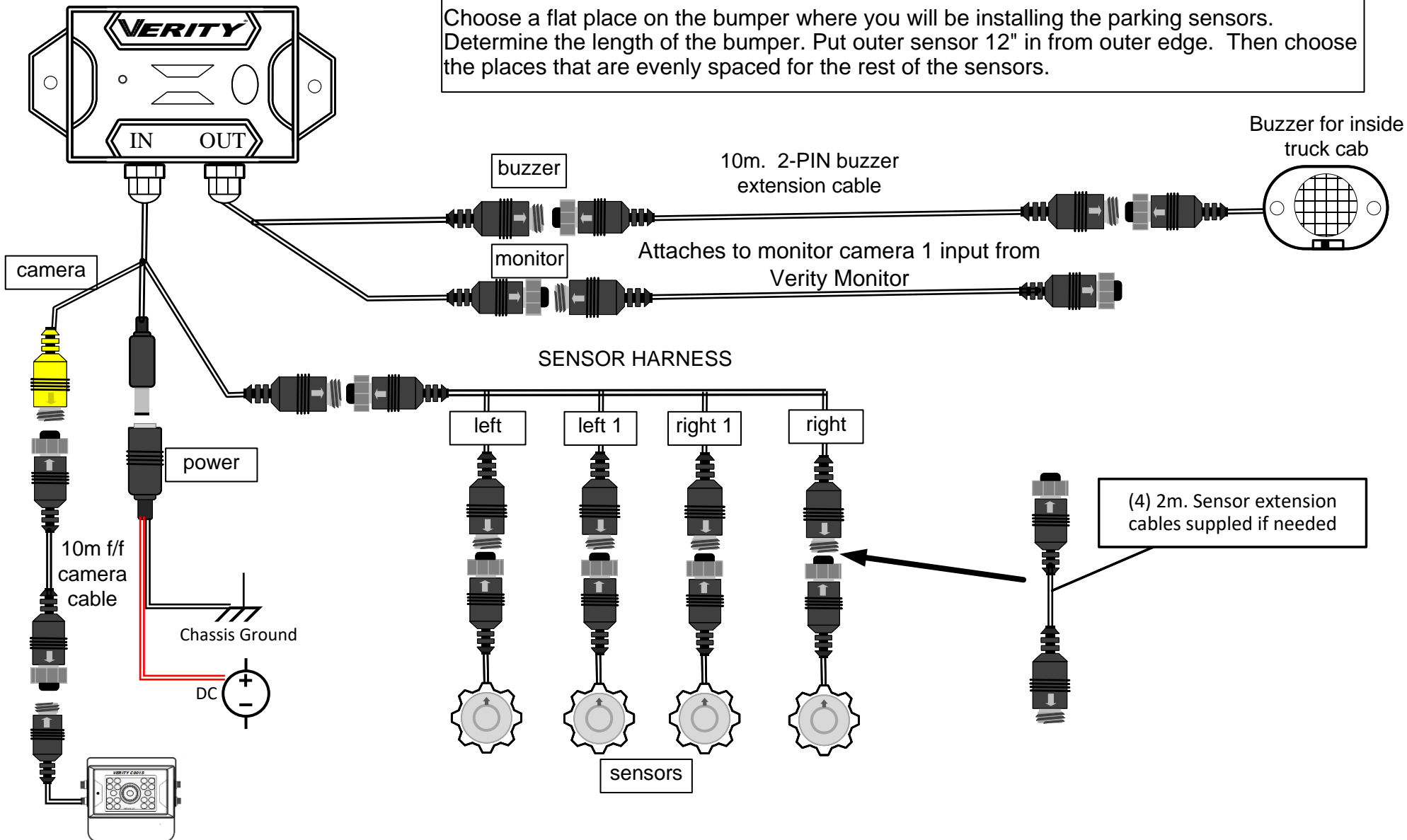




Wiring Layout
System Part Number:
ADD60S

Description: 4-Sensor Audible Parking Assist Package with
guidelines overlaid on monitor screen. Use with any Verity
backup camera system.

Choose a flat place on the bumper where you will be installing the parking sensors.
Determine the length of the bumper. Put outer sensor 12" in from outer edge. Then choose
the places that are evenly spaced for the rest of the sensors.



574-807-6004
www.veritysafe.com
All rights reserved.

NOTICE
Diagram is for reference purpose only
Subject to change without notice. Not to Scale

2023

Wiring layout for
ADD60S 4-Sensor
Buzzer Sensor Package